

NEW PRODUCT! CRATE SKATE TUB DOLLIE

NEW AND IMPROVED DESIGN!

The new Richmond Skate Crate Tub Dollies are designed to nest together securely when not in use, providing an excellent storage option that won't topple easily.

DESIGNED FOR STACK & NEST

Specially designed to transport Richmond's 32L, 52L and 68L Stack & Nest Crates which are available in food grade and recycled varieties. The Stack & Nest Crates are designed to stack on top of each other for extra stability, even when filled. When not in use the crates nest inside of each other to reduce the overall size of the stack and save incredible amounts of space.

32L, 52L, AND 68L SIZE FOOD GRADE & RECYCLED TUBS TO SUIT AVAILABLE.



FITTED WITH 2 SWIVEL BRAKE CASTORS TO SECURE SKATE WHEN STOPPED

ROUNDED EDGES TO MINIMISE ACCIDENTAL BUMP DAMAGE.

TOUGH, DURABLE DESIGN. MADE FROM RECYCLABLE PP MATERIAL.

ERGONOMIC DESIGN FOR EASY HANDLING AND LIFTING

STAINLESS STEEL CASTOR OPTIONS AVAILABLE

NEW PRODUCT!

CRATE SKATE TUB DOLLIE

Designed to transport Richmond's 32L, 52L, and 68L Stack & Nest Crates, the crate skate tub dollie is the perfect solution for all your storage and food transport needs. Manufactured from industrial grade recyclable PP material this dollie features an ergonomic design for easy handling and lifting, as well as rounded edges to minimise bump damage. Ideal for reducing back injury and handling foods across a whole range of industries, including: butchers, fishing, food service, chicken & poultry, and lots more!



SPECIFICATIONS

Dimensions	Deck Height	Wheel Size	Wheel Type	Weight	Capacity	Part No.
605 x 375 x 235mm	156mm	75mm	Nylon	5.7kg	400kg	TDR005
605 x 375 x 235mm	156mm	75mm	Polyurethane	5.7kg	400kg	TDR012
605 x 375 x 235mm	156mm	75mm	Rebound Rubber	5.7kg	400kg	TDR013
605 x 375 x 235mm	156mm	75mm	Polyurethane	5.7kg	400kg	TDR014
605 x 375 x 235mm	156mm	75mm	Nylon	5.7kg	400kg	TDR015
605 x 375 x 235mm	156mm	75mm	Rebound Rubber	5.7kg	400kg	TDR016
605 x 375 x 235mm	182mm	100mm	Rebound Rubber	5.7kg	400kg	TDR006
605 x 375 x 235mm	182mm	100mm	Nylon	5.7kg	400kg	TDR007
605 x 375 x 235mm	182mm	100mm	Polyurethane	5.7kg	400kg	TDR008
605 x 375 x 235mm	182mm	100mm	Rebound Rubber	5.7kg	400kg	TDR009
605 x 375 x 235mm	182mm	100mm	Nylon	5.7kg	400kg	TDR010
605 x 375 x 235mm	182mm	100mm	Polyurethane	5.7kg	400kg	TDR011
605 x 375 x 235mm	208mm	125mm	Nylon	5.7kg	400kg	TDR017
605 x 375 x 235mm	208mm	125mm	Polyurethane	5.7kg	400kg	TDR018
605 x 375 x 235mm	208mm	125mm	Rebound Rubber	5.7kg	400kg	TDR019
605 x 375 x 235mm	208mm	125mm	Nylon	5.7kg	400kg	TDR020
605 x 375 x 235mm	208mm	125mm	Polyurethane	5.7kg	400kg	TDR021
605 x 375 x 235mm	208mm	125mm	Rebound Rubber	5.7kg	400kg	TDR022

Part numbers relate to the base dollie with different castors. Part numbers displayed in Blue come with stainless steel castors and are suitable for food handling and frequent wash down applications.

RICHMOND ENGINEERING | CRATE SKATE INSTRUCTION

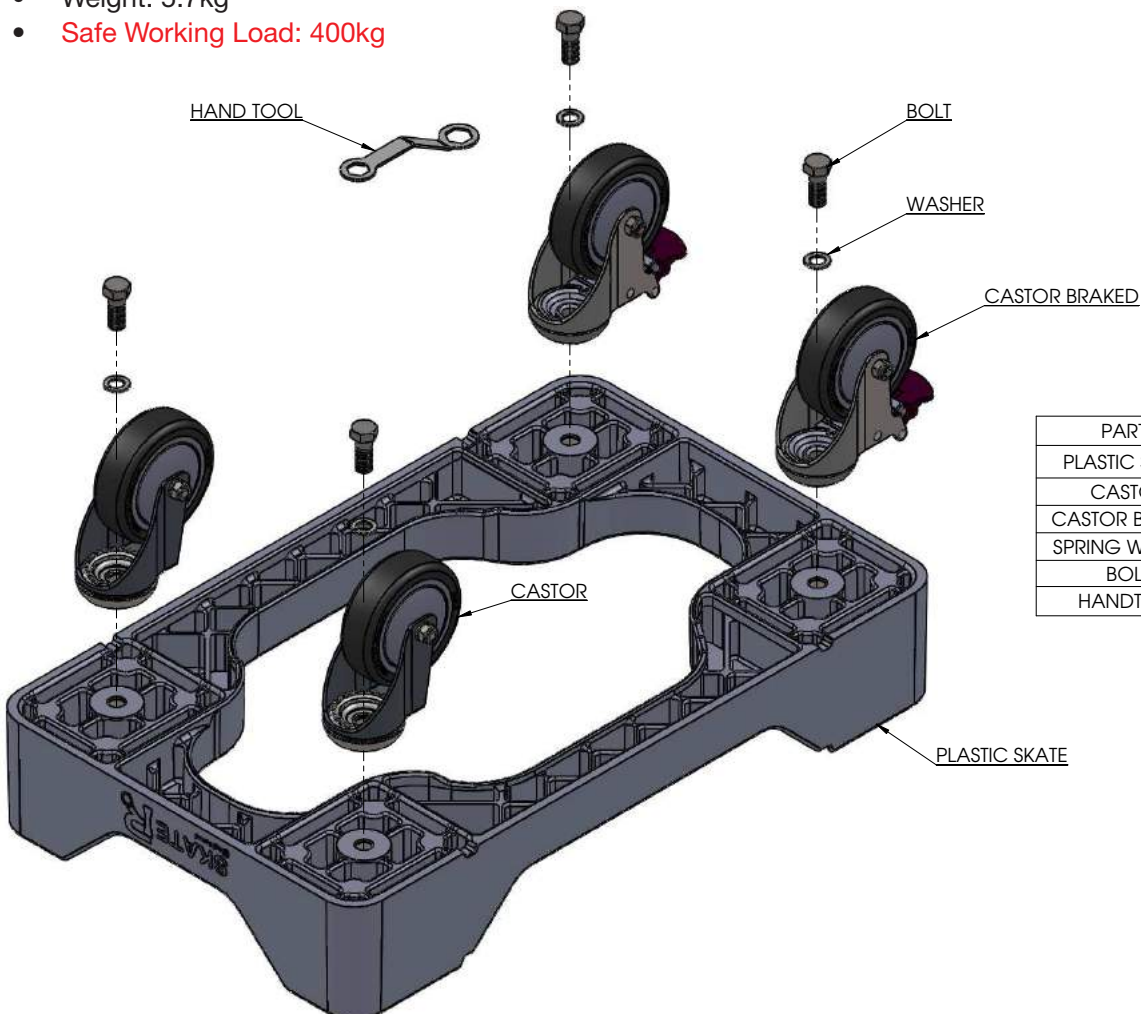
Thank you for purchasing another quality product from Richmond Engineering.

PRODUCT BENEFITS

- Designed to handle our range of Stack and nest crates: 32, 52, 68Ltr crates
- Tough durable design
- Manufactured from industrial grade recyclable PP material
- Designed to nest skates together for easy moving and storage
- Supplied with 2 swivel braked wheels to secure Skate when stopped
- Designed for easy cleaning
- Ergonomic design for easy handling and lifting
- Use of rounded edges to minimize accidental bump damage to walls, doors etc
- Supplied with zinc coated castor frames and fasteners.
- Stainless steel options available. Just ask our friendly sales staff.

PRODUCT SPECIFICATIONS

- Dimensions: 605 x 375 x 235mm
- Deck Height: 182mm
- Weight: 5.7kg
- **Safe Working Load: 400kg**



PARTS	QTY.
PLASTIC SKATE	1
CASTOR	2
CASTOR BRAKED	2
SPRING WASHER	4
BOLT	4
HANDTOOL	1